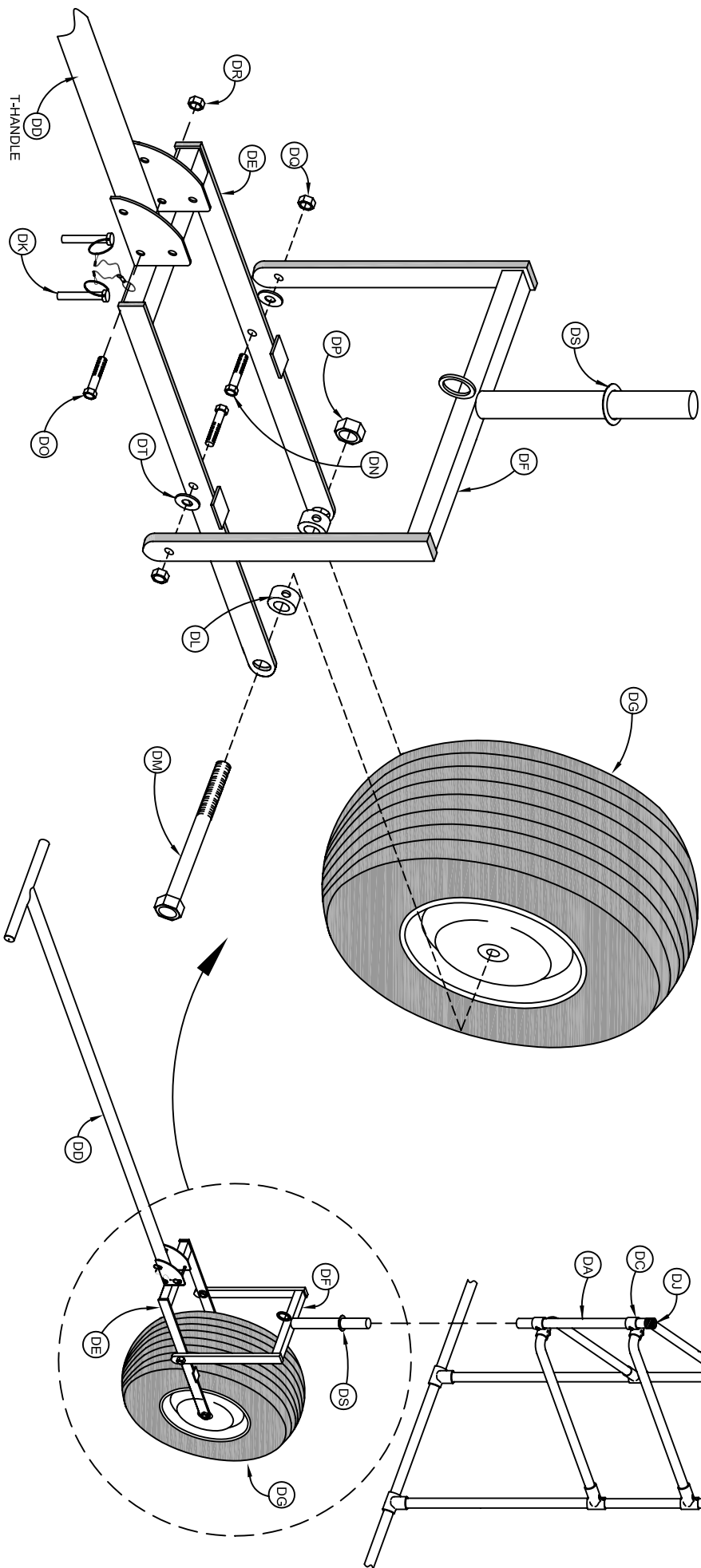


BACKSTOP TRANSPORT DOLLEY

PARTS LIST

| ITEM | DESCRIPTION | QTY | PART # | ITEM | DESCRIPTION | QTY | PART # |
|------|----------------------|-------|------------|------|-----------------------|-------|-------------|
| DA | PIVOT TUBE 16" | 1 EA. | ZXS0800012 | DK | 2 PCS DETENT PIN | 1 EA. | ZX3900042 |
| DB | V - TUBE | 2 EA. | ZXS0800043 | DL | SHAFT COLLAR 5/8" | 2 EA. | Z037062COL |
| DC | CROSSOVER FITTING | 2 EA. | ZX1450001 | DM | HEX BOLT 5/8" X 7" | 1 EA. | ZX3700070 |
| DD | DOLLEY T-HANDLE | 1 EA. | ZXS0350012 | DN | HEX BOLT 1/2" X 1.75" | 2 EA. | Z041500175 |
| DE | DOLLEY WHEEL BRACKET | 1 EA. | ZXS0350011 | DO | HEX BOLT 3/8" X 2.25" | 1 EA. | ZX3700015 |
| DF | WHEEL PIVOT | 1 EA. | ZXS0350010 | DP | LOCK NUT 5/8" | 1 EA. | Z060625N1LN |
| DG | 16" WHEEL | 3 EA. | ZX2800006 | DQ | LOCK NUT 1/2" | 2 EA. | ZX3600007 |
| DH | 5/32" HEX KEY | 1 EA. | Z031156HEX | DR | LOCK NUT 3/8" | 1 EA. | Z060375-16 |
| DI | 5/16" HEX KEY | 1 EA. | ZX3800003 | DS | WASHER 1.78" | 1 EA. | ZX3400023 |
| DJ | PLASTIC CAP 1.5" | 1 EA. | ZX1500007 | DT | WASHER .5" | 2 EA. | Z070050Z/P |



REAR SECTION OF BATTING CAGE

TRANSPORT DOLLEY USAGE

- STEP 1)** HOLD HANDLE WHILE REMOVING PIN FROM "STATIONARY POSITION" LOWER HANDLE TO THE "LIFTING POSITION" AND INSERT PIN.
- STEP 2)** LIFT HANDLE TO THE "TRANSPORT LOCKING POSITION" AND INSERT THE SECOND PIN. YOU ARE NOW READY TO SAFELY TRANSPORT YOUR BACKSTOP TO DESTINATION.
- STEP 3)** WHEN DESTINATION IS REACHED, WHILE KEEPING A FIRM GRIP ON HANDLE REMOVE PIN FROM "TRANSPORT LOCKING POSITION" AND SLOWLY LOWER BACKSTOP TO A RESTING POSITION.
- STEP 4)** NOW RETURN HANDLE TO THE "STATIONARY POSITION" AND INSERT PIN.

CAUTION

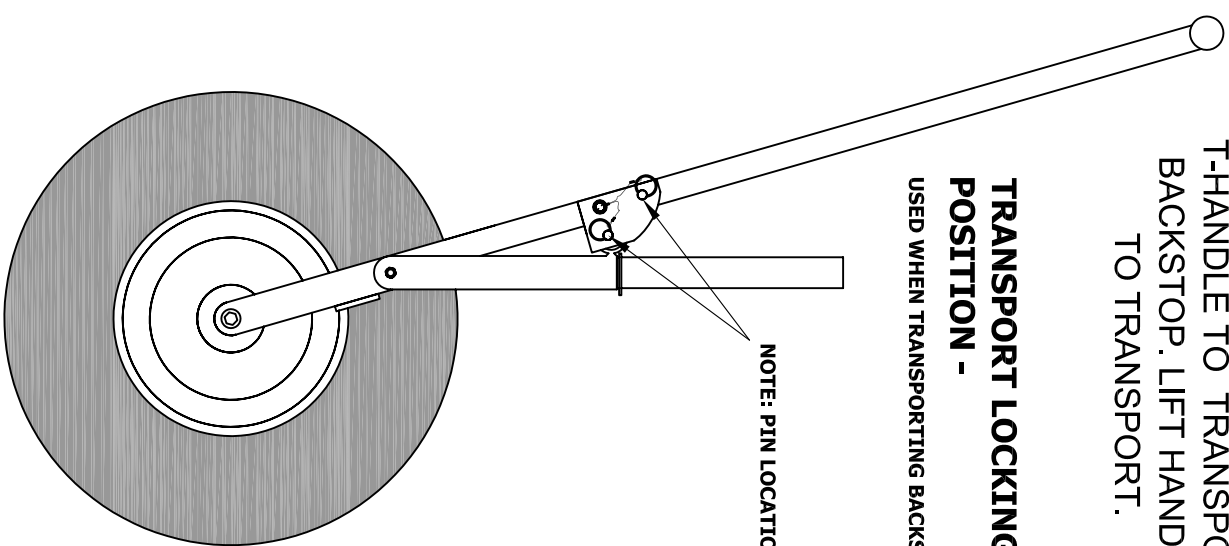
THIS TRANSPORT DOLLEY IS LIFTING A LARGE AMOUNT OF WEIGHT AND SHOULD BE USED BY ADULTS ONLY. MANUFACTURE IS NOT RESPONSIBLE FOR MISUSE OF THIS PRODUCT.

▲ IMPORTANT ▲

DO NOT PUSH DOWN ON T-HANDLE TO TRANSPORT BACKSTOP. LIFT HANDLE TO TRANSPORT.

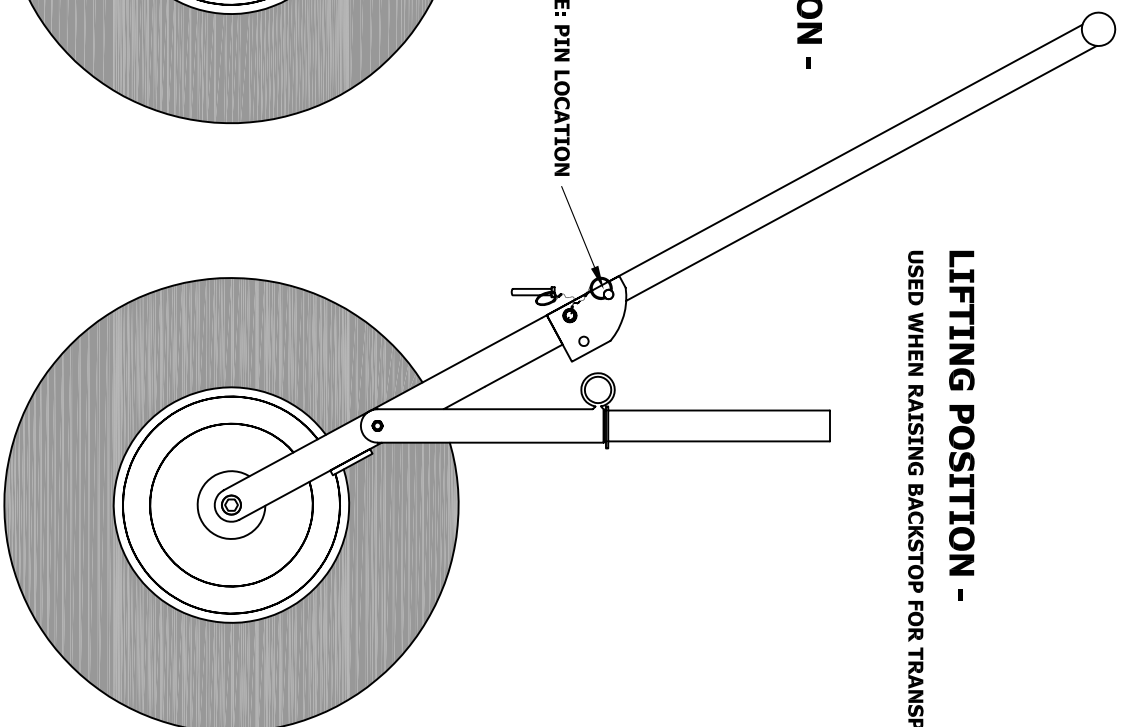
TRANSPORT LOCKING POSITION -

USED WHEN TRANSPORTING BACKSTOP



LIFTING POSITION -

USED WHEN RAISING BACKSTOP FOR TRANSPORT



STATIONARY POSITION -

WHEN BACKSTOP IS IN USE

